

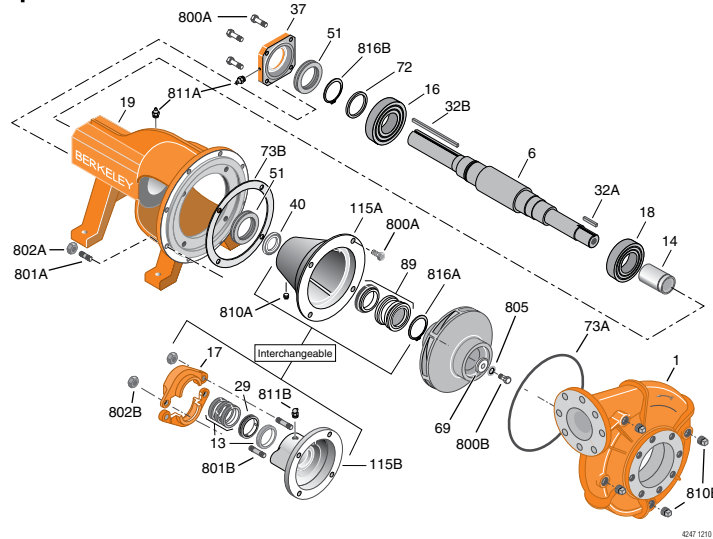
BERKELEY®

B6ZRH(S), B6ZRL(S)

Cast Iron Impeller

BEARING FRAME MOUNT

| | |
|---------------------|---------------|
| Section | FM |
| Page | 265.1 |
| Date | March 4, 2013 |
| Supersedes 07/01/11 | |



B6ZR Common Parts Groups Repair Parts List

| Item No. | Part Description | Part Number |
|----------|---------------------------------------------|-------------|
| 1 | Volute Case, CW Flanged | H05065 |
| 6 | Shaft | M12338 |
| 14 | Shaft Sleeve | M12422L |
| 16 | Single Row Ball Bearing | S13395 |
| 18 | Ball Bearing | S13397 |
| 19 | Bracket | M12332 |
| 32A | Shaft Key, 1/4" Sq. x 2-1/4" Lg. - Impeller | S23677 |
| 32B | Shaft Key, 3/8" Sq. x 2-1/4" Lg. | S23941 |
| 37 | Bearing Cap | M12335 |
| 40 | Water Slinger | S10964 |
| 51 | Grease Seal [2 Req.] | M12337 |
| 69 | Lock Washer | S06319 |
| 72 | Thrust Ring | S06519 |
| 37 | Outer Bearing Cap Assembly* | S19914 |
| 40 | Slinger, Water | S12260 |
| 69 | Washer, Impeller | S06314 |
| 73 | O-Ring [See Note 1] | M14943 |
| 73B | Balance Ring Gasket | S09943 |
| 800A | 3/8-16x1" Lg. Hex Hd Capscrew [8 Req.] | S26826 |
| 800B | Impeller Capscrew B6ZRL(S) | S23619 |
| 800B | Impeller Capscrew B6ZRH(S) | S23631 |
| 801A | 3/8-16 x 1-1/2" Lg. Stud [8 Req.] | S23995 |
| 802A | 3/8-16 Hex Nut [8 Req.] | S23103 |
| 805 | Impeller Lock Washer | S23083 |
| 810B | 1/2" NPT Square Hd. Pipe Plug [3 Req.] | S23717 |

| Item No. | Part Description | Part Number |
|----------|-------------------------|-------------|
| 811A | Grease Fitting [2 Req.] | S23700 |
| 816B | External Retaining Ring | S23016 |

Packing Components

| Item No. | Part Description | Part Number |
|----------|------------------------------------|-------------|
| 13 | Packing Ring Set | S13435 |
| 17 | Split Packing Gland Set | B82470 |
| 29 | Lantern Ring | S19200 |
| 115B | Packing Housing | M12334 |
| 801B | 3/8-16NC x 2-1/2" Lg Stud [2 Req.] | S04438 |
| 802B | 3/8-16 Hex Nut [2 Req.] | S23343 |
| 811B | 1/8 MPT x 90° Grease Fitting | S23702 |

Seal Components

| Item No. | Part Description | Part Number |
|----------|------------------------------|-------------|
| 89 | 1-3/4" Mechanical Shaft Seal | S32015 |
| 115A | Mechanical Seal Housing | M12333 |
| 810A | 1/8" NPT Sq. Hd. Pipe Plug | S23714 |
| 816A | External Retaining Ring | S16767 |

NOTE 1: Also accepts gasket **S05126** as replacement for O-Ring. See **Supplement E** located at the beginning of this section.

Refer to following page for model specific repair parts listing.



BERKELEY®

B6ZRH(S), B6ZRL(S)

Cast Iron Impeller

BEARING FRAME MOUNT

| | |
|---------------------|---------------|
| Section | FM |
| Page | 265.2 |
| Date | March 4, 2013 |
| Supersedes 01/01/04 | |

B6ZR Series 1-1/2" x 10T, SAE 4 & 5

| Pump Series | Catalog Number | Rotation | Style | Impeller | Impeller Material | Replacement Shaft Kit |
|---------------|----------------|----------|------------------------------------------------------------------------------|----------|-------------------|-----------------------|
| B6ZRL | B80431 | CW | Suction Flange 8" x 13-1/2" B59878 Discharge Flange 6" x 11" B59872 | M04348 | Cast Iron | B81663 |
| B6ZRLS | B80432 | CW | | | | |
| B6ZRH | B80433 | CW | | | | |
| B6ZRHS | B80434 | CW | | | | |