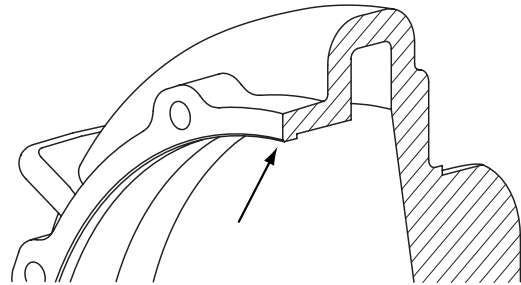
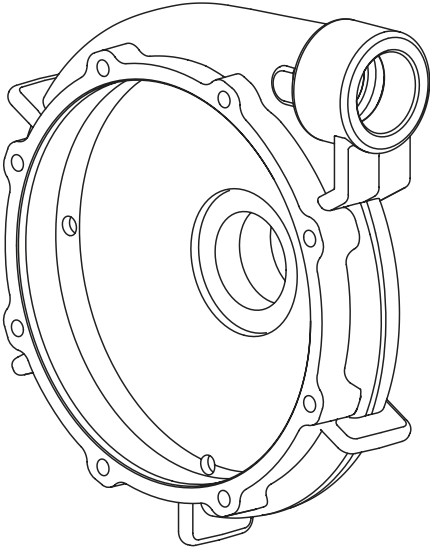




Type "B" Single Stage Centrifugal Pump Bearing Frame Mount

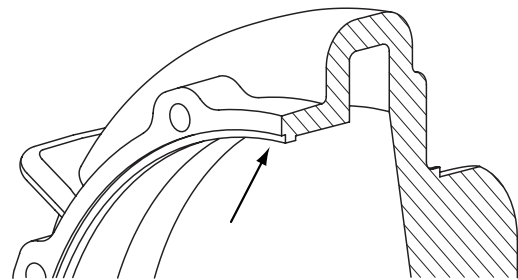
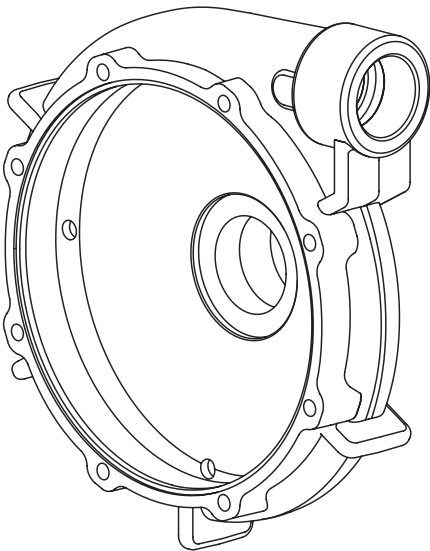
Section	FM
Page	Supplement E
Date	July 1, 2011
	New

Volute Sealing: Gasket Only



Style 1: There is a small chamfer along the back face of the volute, but no circumferential o-ring groove. This volute can **ONLY** be sealed with a gasket.

Volute Sealing: O-ring or Gasket



Style 2: O-ring groove machined into back face of volute. This volute can be sealed with a gasket or with an o-ring.