

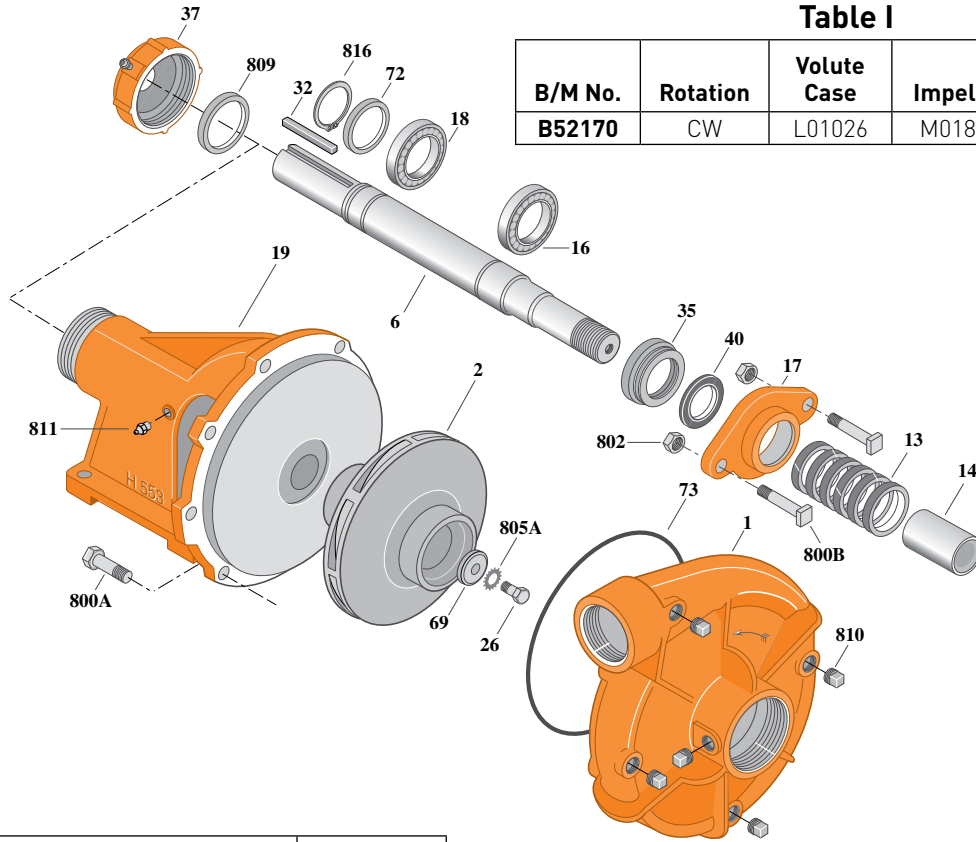
# BERKELEY® B2ZRM

## Cast Iron Impeller

Threaded Case (NPT), Packing Construction

### BEARING FRAME MOUNT

Section	FM
Page	40.1
Date	March 4, 2013
Supersedes 07/01/11	



**Table I**

B/M No.	Rotation	Volute Case	Impeller	Impeller Diameter
<b>B52170</b>	CW	L01026	M01802	9.00"

Item No.	Part Description	Part Number
1	Case, Volute	See Table I
2	Impeller	See Table I
6	Shaft (Not sold separately)	See Note 2
13	Ring, Packing (Set of 6)	S14022
14	Sleeve, Shaft	S05127L
16	Bearing, Ball	S13269
17	Gland, Packing (See Note 1)	S04948
18	Bearing, Ball	S13270
19	Frame	H00553
26	Screw, Impeller 3/8-16x1"	S23566
32	Key, 1/4x2-1/8"	S24255
35	Inner Bearing Cap	S19037
37	Outer Bearing Cap Assembly*	S19914
40	Slinger, Water	S12260
69	Washer, Impeller	S06314
72	Ring, Thrust	S29218
73	O-Ring (See Note 3)	M14943

Item No.	Part Description	Part Number
800A	Capscrew, Hex 3/8-16x1" (8 Req.)	S26826
800B	Bolt, Sq. Head 3/8-16x2-1/2" (2 Req.)	S23762
802	Nut, Hex 3/8-16 (2 Req.)	S23343
805A	Washer, Lock	S23036
809	Ring, Spacer	S05822
810	Plug, Pipe 1/4 NPT (5 Req.)	S23715
811	Fitting, Grease	S23670
816	Ring, Retaining (1 Req.)	S23010

\* Includes grease fitting and set screw.

**NOTE 1:** A two piece (split) stainless steel packing gland is available for replacement, order part number **B82468**.

**NOTE 2:** **Shaft Replacement Kit** available for this model. Berkeley part number **B82183**. Pump Shaft sold in shaft replacement kit only.

**NOTE 3:** Also accepts gasket **S05126** as replacement for O-Ring. See **Supplement E** located at the beginning of this section.



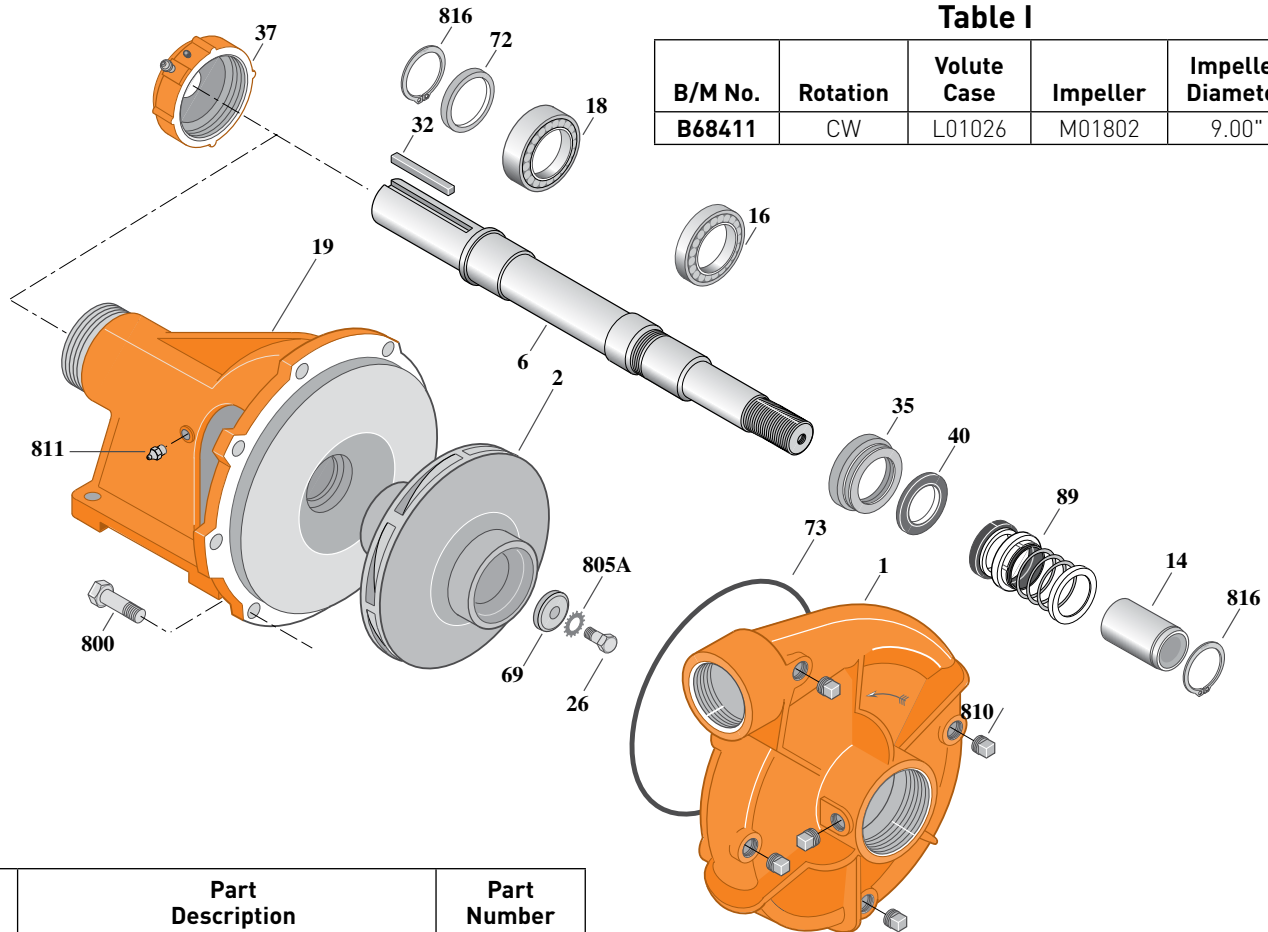
# BERKELEY® B2ZRMS

## Cast Iron Impeller

Threaded Case (NPT), Mechanical Seal Construction

### BEARING FRAME MOUNT

Section	FM
Page	40.2
Date	March 4, 2013
Supersedes 12/01/11	



**Table I**

B/M No.	Rotation	Volute Case	Impeller	Impeller Diameter
<b>B68411</b>	CW	L01026	M01802	9.00"

Item No.	Part Description	Part Number
1	Case, Volute	See Table I
2	Impeller	See Table I
6	Shaft (Not sold separately)	See Note 1
14	Sleeve, Shaft	S39242L
16	Bearing, Ball	S13270
18	Bearing, Ball	S13271
19	Frame	H04007
26	Screw, Impeller 3/8-16x1"	S23566
32	Key, 1/4x2-1/8"	S24255
35	Inner Bearing Cap	S19033
37	Outer Bearing Cap Assembly*	S19914
40	Slinger, Water	S12260
69	Washer, Impeller	S06314
72	Ring, Thrust	S29218
73	O-Ring [See Note 2]	M14943
89	Seal, Mechanical Shaft	S32690

\* Includes grease fitting and set screw.

Item No.	Part Description	Part Number
800	Capscrew, Hex 3/8-16x7/8" [8 Req.]	S26825
805A	Washer, Lock	S23036
810	Plug, Pipe 1/4 NPT [5 Req.]	S23715
811	Fitting, Grease	S23670
816	Ring, Retaining	S23009
816	Ring, Retaining	S23010
•	Plug, Pipe 1/2 NPT [Not illustrated]	S23717

• Not illustrated.

**NOTE 1: Shaft Replacement Kit** available for this model. Berkeley part number **B85571**. Pump Shaft sold in shaft replacement kit only.

**NOTE 2:** Also accepts gasket **S05126** as replacement for O-Ring. See **Supplement E** located at the beginning of this section.

