

BERKELEY® B6ZRM

Cast Iron Impeller

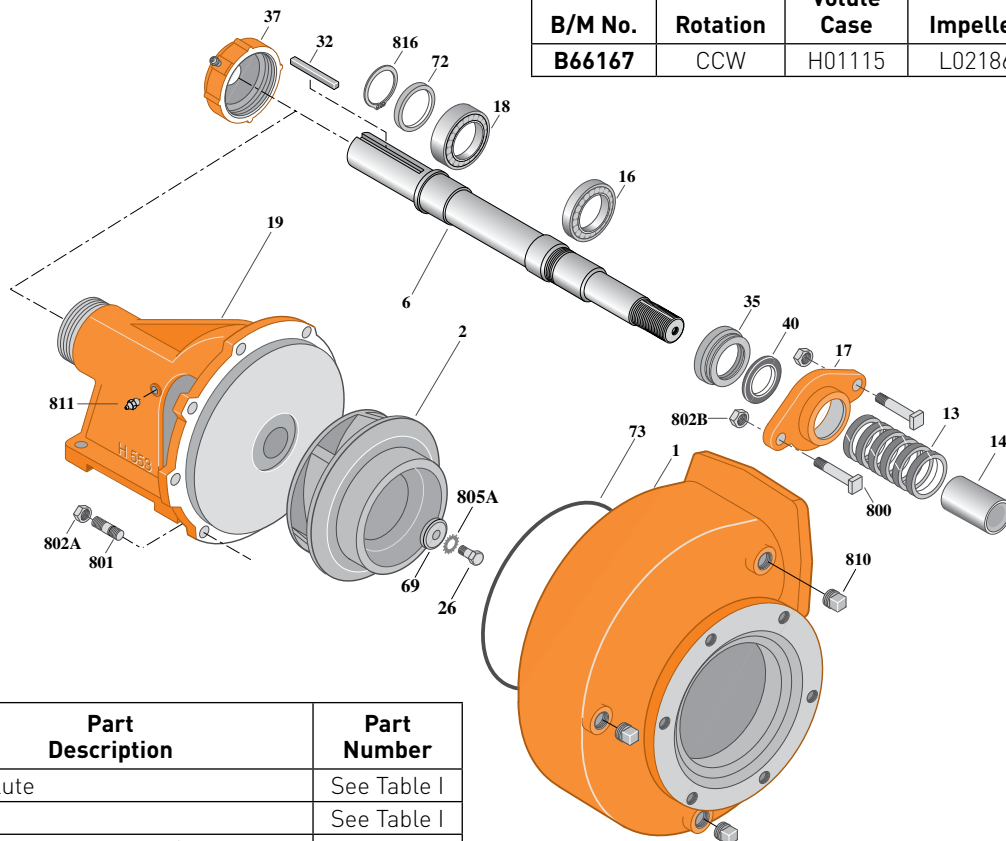
Special Flanged Case, Packing Construction

BEARING FRAME MOUNT

| | |
|---------------------|---------------|
| Section | FM |
| Page | 250.1 |
| Date | March 4, 2013 |
| Supersedes 07/01/11 | |

Table I

| B/M No. | Rotation | Volute Case | Impeller | Impeller Diameter |
|---------------|----------|-------------|----------|-------------------|
| B66167 | CCW | H01115 | L02186 | 7.75" |



| Item No. | Part Description | Part Number |
|----------|---------------------------------------|-------------|
| 1 | Case, Volute | See Table I |
| 2 | Impeller | See Table I |
| 6 | Shaft (Not sold separately) | See Note 2 |
| 13 | Ring, Packing (Set of 6) | S14022 |
| 14 | Sleeve, Shaft | S05127L |
| 16 | Bearing, Ball | S13270 |
| 17 | Gland, Packing (See Note 1) | S04948 |
| 18 | Bearing, Ball | S13271 |
| 19 | Frame | H00553 |
| 26 | Screw, Impeller 3/8-16-2-1/4" | S23575 |
| 32 | Key, 1/4x2-1/8" | S24255 |
| 35 | Inner Bearing Cap | S19033 |
| 37 | Outer Bearing Cap Assembly* | S19914 |
| 40 | Slinger, Water | S12260 |
| 69 | Washer, Impeller | S06314 |
| 72 | Ring, Thrust | S29218 |
| 73 | O-Ring (See Note 3) | M14943 |
| 800 | Bolt, Sq. Head 3/8-16x2-1/2" (2 Req.) | S23672 |
| 801 | Stud, 3/8-16x1-1/4" (8 Req.) | S23994 |

| Item No. | Part Description | Part Number |
|----------|-----------------------------|-------------|
| 802A | Nut, Hex 3/8-16 (8 Req.) | S23103 |
| 802B | Nut, Hex 3/8-16 (2 Req.) | S23343 |
| 805B | Washer, Bearing Lock | S16181 |
| 810 | Plug, Pipe 1/2 NPT (4 Req.) | S23717 |
| 811 | Fitting, Grease | S23670 |
| 816 | Ring, Retaining | S23010 |

NOTE 1: A two piece (split) stainless steel packing gland is available for replacement, order part number **B82468**.

NOTE 2: **Shaft Replacement Kit** available for this model. Berkeley part number **B80695**. Pump Shaft sold in shaft replacement kit only.

NOTE 3: Also accepts gasket **S05126** as replacement for O-Ring. See **Supplement E** located at the beginning of this section.

* Includes grease fitting and set screw.



BERKELEY® B6ZRMS

Cast Iron Impeller

Special Flanged Case, Mechanical Seal Construction

BEARING FRAME MOUNT

| | |
|---------------------|---------------|
| Section | FM |
| Page | 250.2 |
| Date | March 4, 2013 |
| Supersedes 07/01/11 | |

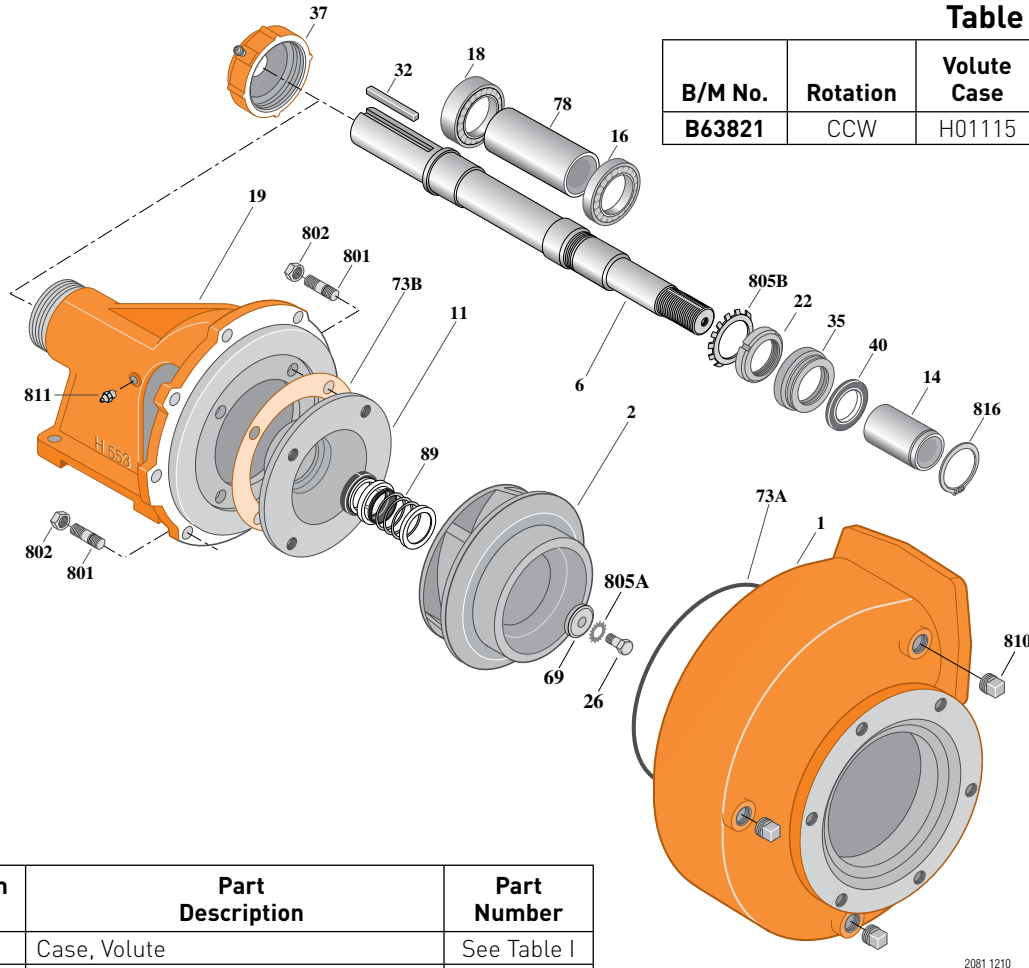


Table I

| B/M No. | Rotation | Volute Case | Impeller | Impeller Diameter |
|---------|----------|-------------|----------|-------------------|
| B63821 | CCW | H01115 | L02186 | 7.75" |

| Item No. | Part Description | Part Number |
|----------|---------------------------------|-------------|
| 1 | Case, Volute | See Table I |
| 2 | Impeller | See Table I |
| 6 | Shaft | M12402 |
| 11 | Retainer, Mechanical Shaft Seal | M06063 |
| 14 | Sleeve, Shaft | S39242L |
| 16 | Bearing, Ball | S13270 |
| 18 | Bearing, Ball | S13271 |
| 19 | Frame | H03837 |
| 22 | Locknut | M10221 |
| 26 | Screw, Impeller 3/8-16x2-1/4" | S23575 |
| 32 | Key, 1/4x2-1/8" | S24255 |
| 35 | Inner Bearing Cap | S19033 |
| 37 | Outer Bearing Cap Assembly* | S19914 |
| 40 | Slinger, Water | S12260 |
| 69 | Washer, Impeller | S06314 |
| 73A | O-Ring [See Note 1] | M14943 |

* Includes grease fitting and set screw.

| Item No. | Part Description | Part Number |
|----------|-------------------------------|-------------|
| 73B | Gasket, Seal Retainer | S16800 |
| 78 | Sleeve, Spacer | S08980 |
| 89 | Seal, Mechanical Shaft | S32690 |
| 801 | Stud, 3/8-16x1-1/4" (12 Req.) | S23994 |
| 802 | Nut, Hex 3/8-16 (12 Req.) | S23103 |
| 805A | Washer, Lock | S23036 |
| 805B | Washer, Bearing Lock | S16181 |
| 810 | Plug, Pipe 1/2 NPT (4 Req.) | S23717 |
| 811 | Fitting, Grease | S23670 |
| 816 | Ring, Retaining | S23009 |

NOTE 1: Also accepts gasket **S05126** as replacement for O-Ring. See **Supplement E** located at the beginning of this section.

