

BERKELEY® B10JRBH

Cast Iron Impeller

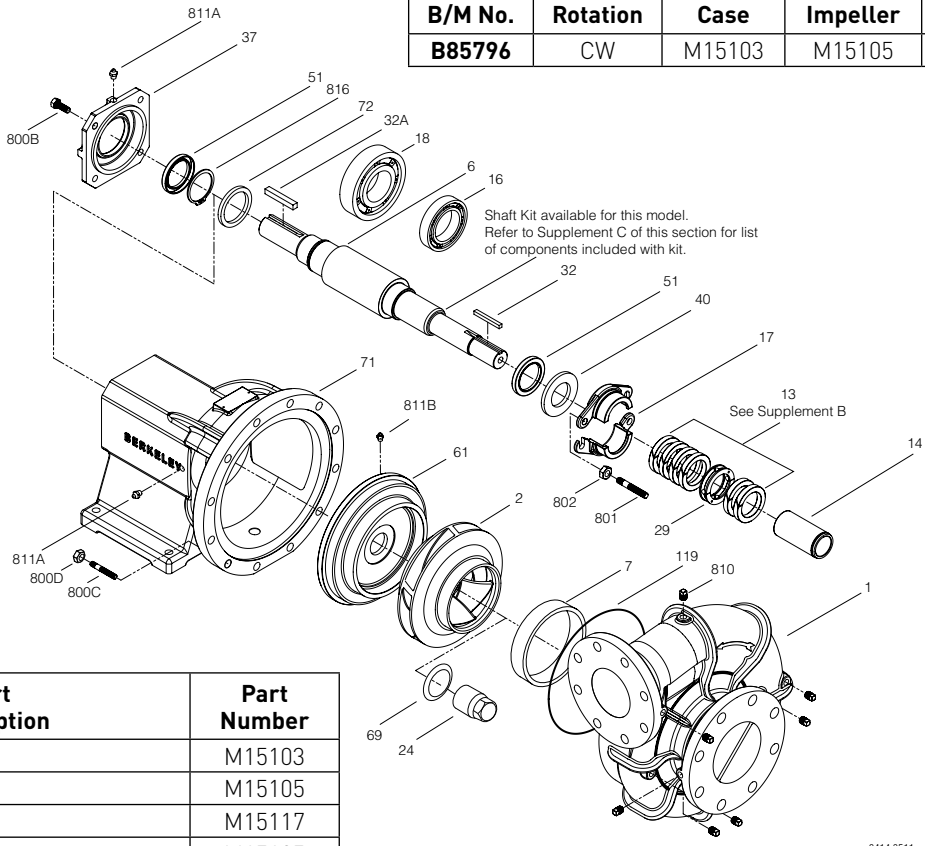
Power Frame Case, Packing Construction

BEARING FRAME MOUNT

| | |
|---------------------|---------------|
| Section | FM |
| Page | 340.1 |
| Date | March 4, 2013 |
| Supersedes 06/01/11 | |

Table I

| B/M No. | Rotation | Volute Case | Impeller | Impeller Diameter |
|---------------|----------|-------------|----------|-------------------|
| B85796 | CW | M15103 | M15105 | 13.50" |



| Item No. | Part Description | Part Number |
|----------|--------------------------------|-------------|
| 1 | Case, Volute | M15103 |
| 2 | Impeller (Note 1) | M15105 |
| 6 | Shaft (Note 2) | M15117 |
| 7 | Ring, Wearing | M15125 |
| 13 | Ring, Packing (Set of 6) | S16448 |
| 14 | Sleeve, Shaft (Note 3) | S29517L |
| 16 | Bearing, Ball (Note 2) | M15133 |
| 17 | Gland, Packing (2 rqd) | M05311 |
| 18 | Bearing, Ball (Note 2) | M15132 |
| 24 | Locknut, Impeller (Note 1,3) | S07829 |
| 29 | Ring, Lantern | S14330 |
| 32 | Key, 1/2x1/2x2-3/4" (Note 1,3) | M15123 |
| 32A | Key, 1/2x1/2x2-3/8" (Note 2) | M15203 |
| 37 | Bearing Cap | M15119 |
| 40 | Slinger, Water (Note 2) | M15129 |
| 51 | Seal, Grease (2 rqd) | M15135 |
| 61 | Plate, Seal | M15110 |
| 69 | Washer, Impeller (Note 1,3) | M15232 |
| 71 | Bracket | M15115 |
| 72 | Ring, Thrust (Note 2) | M15202 |
| 119 | O-Ring (Note 1,3) | M15130 |

| Item No. | Part Description | Part Number |
|----------|-------------------------------|-------------|
| 800B | Capscrew, 1/2-13x1.5" (4 rqd) | S23623 |
| 800C | Stud, 5/8-11x2-1/2" (12 rqd) | M15388 |
| 800D | Nut, Hex 5/8-11 (12 rqd) | S23490 |
| 801 | Stud, 1/2-13x2-1/2" (2 rqd) | S24358 |
| 802 | Nut, Hex 1/2-13 (2 rqd) | S23347 |
| 810 | Plug, Pipe (7 rqd) | S23717 |
| 811A | Fitting, Grease | S23670 |
| 811B | Fitting, Grease (2 rqd) | S23700 |
| 816 | Ring, Retaining (Note 2) | M15134 |

NOTE 1: Impeller Kit B85810 includes items 2, 24, 32, 69, 119.
NOTE 2: Shaft Replacement Kit B85676 available for this model. Pump Shaft sold in shaft replacement kit only.
NOTE 3: Shaft Sleeve Kit B85812 includes item 14, adhesive and instruction sheet.



BERKELEY® B10JRBHS

Cast Iron Impeller

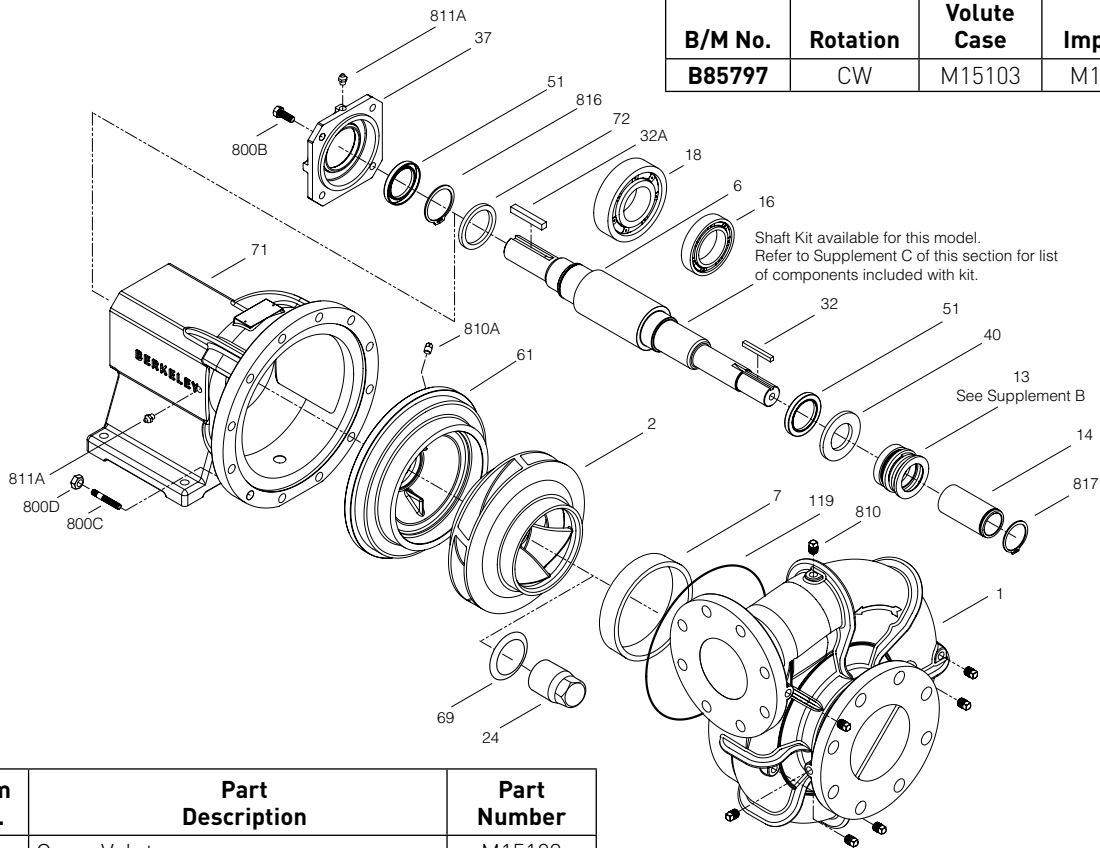
Power Frame Case, Mechanical Shaft Seal Construction

BEARING FRAME MOUNT

| | |
|---------------------|---------------|
| Section | FM |
| Page | 340.2 |
| Date | March 4, 2013 |
| Supersedes 06/01/11 | |

Table I

| B/M No. | Rotation | Volute Case | Impeller | Impeller Diameter |
|---------------|----------|-------------|----------|-------------------|
| B85797 | CW | M15103 | M15105 | 13.5" |



6415 0511

| Item No. | Part Description | Part Number |
|----------|--------------------------------|-------------|
| 1 | Case, Volute | M15103 |
| 2 | Impeller (Note 1) | M15105 |
| 6 | Shaft (Note 2) | M15117 |
| 7 | Ring, Wearing | M15125 |
| 13 | Seal, Mechanical | S32697 |
| 14 | Sleeve, Shaft (Note 3) | S29517L |
| 16 | Bearing, Ball (Note 2) | M15133 |
| 18 | Bearing, Ball (Note 2) | M15132 |
| 24 | Locknut, Impeller (Note 1,3) | S07829 |
| 32 | Key, 1/2x1/2x2-3/4" (Note 1,3) | M15123 |
| 32A | Key, 1/2x1/2x2-3/8" (Note 2) | M15203 |
| 37 | Bearing Cap | M15119 |
| 40 | Slinger, Water (Note 2) | M15129 |
| 51 | Seal, Grease (2 rqd) | M15135 |
| 61 | Plate, Seal | M15107 |
| 69 | Washer, Impeller (Note 1,3) | M15232 |
| 71 | Bracket | M15115 |
| 72 | Ring, Thrust (Note 2) | M15202 |
| 119 | O-Ring (Note 1,3) | M15130 |

| Item No. | Part Description | Part Number |
|----------|-------------------------------|-------------|
| 800B | Capscrew, 1/2-13x1.5" (4 rqd) | S23623 |
| 800C | Stud, 5/8-11x2-1/2" (12 rqd) | M15388 |
| 800D | Nut, Hex 5/8-11 (12 rqd) | S23490 |
| 810 | Plug, Pipe (7 rqd.) | S23717 |
| 810A | Plug, Pipe | S23714 |
| 811A | Fitting, Grease | S23670 |
| 816 | Ring, Retaining (Note 2) | M15134 |
| 817 | Ring, Retaining | S29519 |

NOTE 1: Impeller Kit B85810 includes Refs 2, 24, 32, 69, 119.

NOTE 2: Shaft Replacement Kit B85676 available for this model. Pump Shaft sold in shaft replacement kit only.

NOTE 3: Shaft Sleeve Kit B85812 includes Ref 14, adhesive and instruction sheet.

